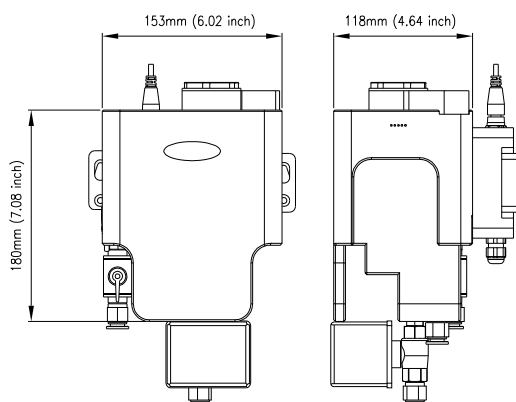


High-precision Turbidimeter

TU90/UCX



Dimensions



Special Features

- 2 Step High Efficiency De-bubblers Technology
- Fast Response Time, Less than 1 Minute
- Intelligent Operation : Auto/Remote Diagnostics & Sensor Flush
- USEPA 180.1 Compliant
- Extended Lamp Life with 2 Year Warranty
- Simple & Reliable

Main Application

- Waterworks Treatment and Distribution
- Wastewater Tertiary Discharge
- Industrial Water

Product Specification

Controller System Performance	
Enclosure	NEMA 4X (IP65), Panel-mount / Wall-mount
Display	4.3 TFT Color Touch LCD
Sensor Connections	Plug & Play, 1 st Sensor standard, 2 nd Sensor Optional
Parameters	Turbidity, Free Chlorine, pH, Conductivity & Temperature
Power	110/220 VAC, 50/60 Hz
Outputs	3 x 4-20 mA, 3 x Relays
Communications	RS232/RS485 Modbus, USB Port, SD Card Slot
Operational Environment	
Temperature Range	-5°C to 50°C (Water Temperature), -20°C to 60°C (Air Temperature)
Flow Range	200-700 mL/min
Calibration & Options	
Calibration Method	Zero & 1 point Formazin Sample Calibration (Span)
Calibration Verification	Verification Cal-Stick (Dry)

Sensor Measurement System Performance	
Measurement Method	90° Scattering Light Method (EPA Method 180.1)
Measurement Range	0 to 2/10/200 NTU
Resolution	0.0001 NTU
Accuracy	±2% of reading or ±0.015 NTU, Over 40 NTU, ±5% of reading
Reproducibility	±1%
Measurement Units	Turbidity (NTU), Temperature (°C, °F)
Response Time	< 60 Seconds
Materials of Construction	
Light Source	Tungsten white-light lamp
Sensor Flow Chamber	ABS / Waterproof (IP68), Corrosion Resistance, Chemical Resistance
Temperature Electrode	Platinum Thermometer (PT1000Ω)